



Yukon
Multideck Merchandiser | Cold
EVO-03MGI-S



southerncasearts.com | 800.552.6283



OVERVIEW



The **Yukon Multideck Merchandiser** from **Southern CaseArts** is a great grab-n-go case. This self-contained, energy efficient case features 3 adjustable shelves with LED lights and tempered glass side walls. The Yukon is perfect for meats, cheese, sandwiches, prepared foods, and beverages – it is sure to become an essential case in your store.

STANDARD FEATURES

- **Nominal Length:** 7.8'
- **Shelves:** 3 adjustable shelves with LED lights
- **Interior Lighting:** 3500K LED
- Self-contained
- **Exterior:** Black powder coat

PRODUCT CATEGORIES



Meat



Deli



Cheese/
Dairy



Snacks/
Sandwiches



Chilled
Beverages



Prepared
Food

07.8-EVO-03MGI-S | Yukon Multideck Merchandiser

QTY	DESCRIPTION	PART NUMBER	VOLTAGE	PHASE	AMPS	TOTAL AMPS
8	45" LED 3500K, FROSTED, 24V	LG-FX-XXX-X	115V	1	0.09	0.72
4	EVAPORATOR FAN	RF-FA-XXXX	115V	1	0.17	0.68
1	CONDENSING UNIT	RF-CU-0479-A	115V	1	11.90	11.90
1	CONDENSATE EVAP PAN / 800W / FULL	EL-EV-XXXX	115V	1	6.67	6.67

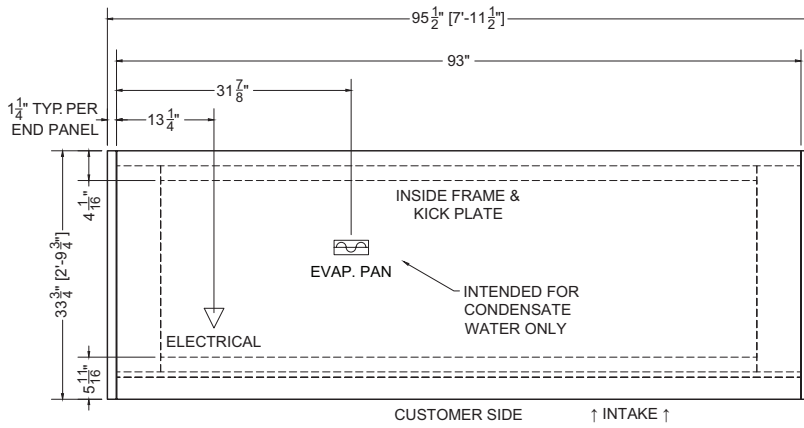
CIRCUIT#1

TOTAL AMPS: 19.97

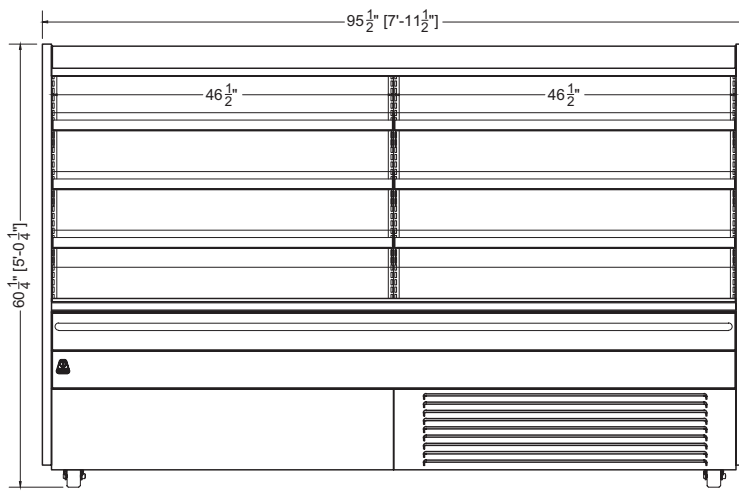
VOLTAGE: 115/1/60

CONNECTION: L5-30P

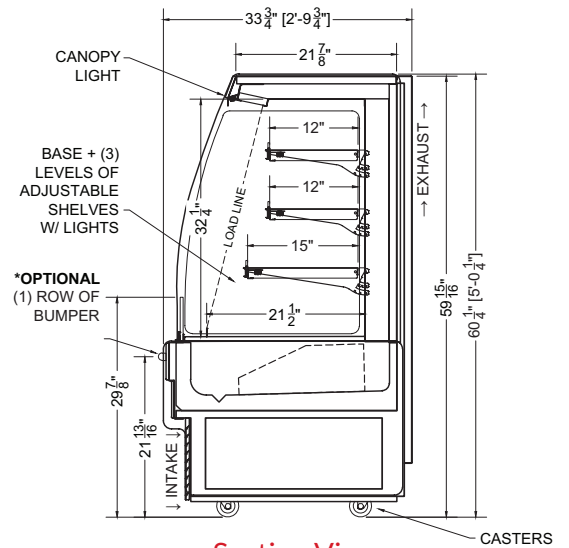




Plan Mechanical View



Front View



Section View



CONFORMS TO UL STD 471.
CONFORMS TO NSF STD 7.
CERTIFIED TO CAN/CSA STD C22.2 NO. 120.

For more information on the Yukon Multideck Merchandiser, contact one of our **Southern CaseArts** representatives or check out our website to learn more about all of the products offered by **Southern CaseArts**.