



Zion
Self-Service Bar | Cold
SSB-N-S



southerncasearts.com | 800.552.6283



OVERVIEW



The **Zion Self-Service Bar** from **Southern CaseArts** is the perfect cold food service case. Available in three lengths, this attractive service bar features a tempered glass food shelf with top ledge for additional merchandising space. The self-contained **Zion** features LED lighting and includes flat and recessed packaging ledges for added convenience.

STANDARD FEATURES

- **Nominal Length:** 5.7', 10.0' & 12.0'
- **Interior Lighting:** 3500K LED Lights
- **Interior:** Stainless steel
- **Self-contained**
- **Exterior:** Black powder coat

PRODUCT CATEGORIES



Salad/Olives

05.7-SSB-N-S | Zion Self-Service Bar

QTY	DESCRIPTION	PART NUMBER	VOLTAGE	PHASE	AMPS	TOTAL AMPS
2	40" LED 3500K, FROSTED, 24V	LG-FX-XXX-X	115V	1	0.08	0.16
1	EVAPORATOR FAN	RF-FA-XXXX	115V	1	0.17	0.17
1	CONDENSING UNIT	RF-CU-0375-A	115V	1	8.24	8.24
1	CONDENSATE EVAP PAN / 800W / HALF	EL-EV-XXXX	115V	1	6.90	6.90

CIRCUIT#1

TOTAL AMPS: 15.47

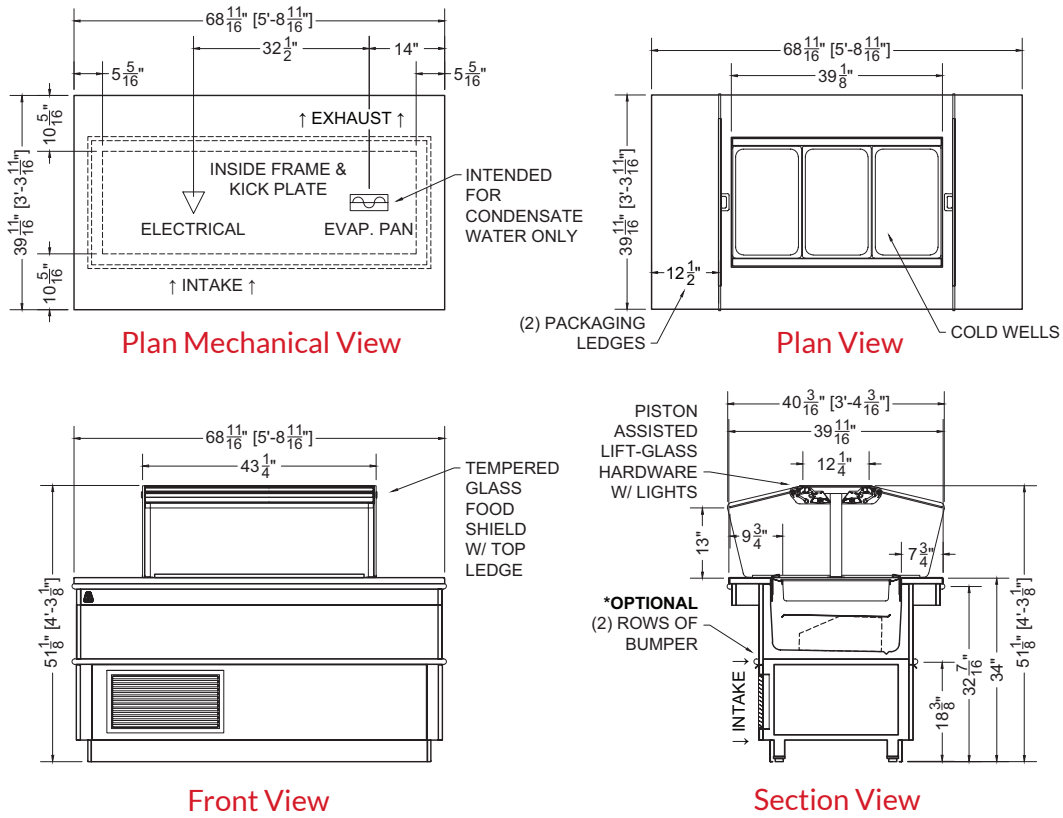
VOLTAGE: 115/1/60

CONNECTION: L5-20P

PACKOUT VOLUME: 2.96 CUBIC FT.

INTERNAL VOLUME: 3.85 CUBIC FT.

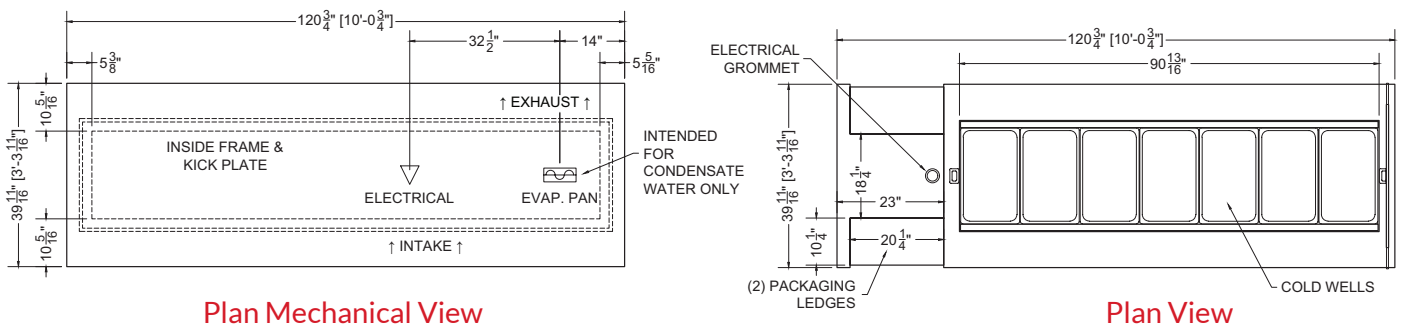


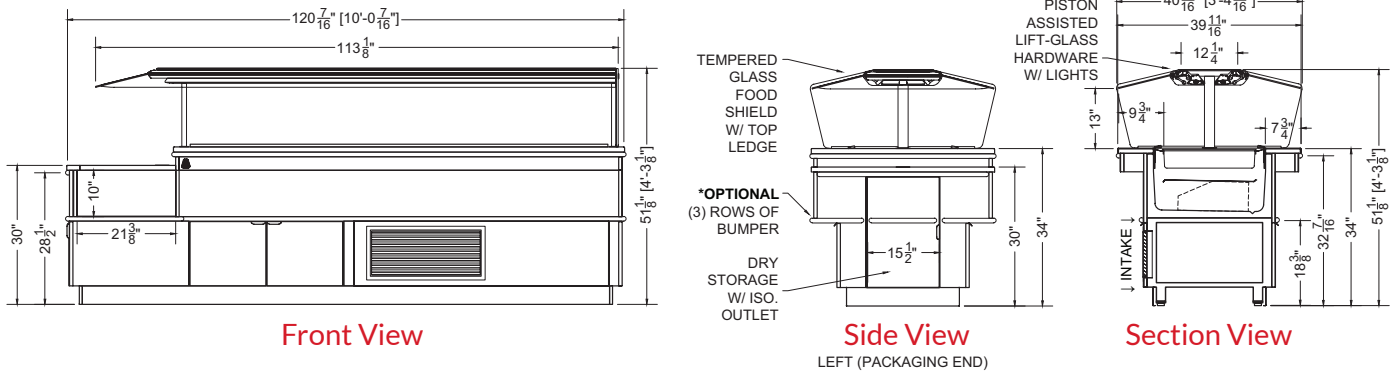


10.0-SSB-N-S | Zion Self-Service Bar

QTY	DESCRIPTION	PART NUMBER	VOLTAGE	PHASE	AMPS	TOTAL AMPS
4	45" LED 3500K, FROSTED, 24V	LG-FX-XXX-X	115V	1	0.09	0.36
3	EVAPORATOR FAN	RF-FA-XXXX	115V	1	0.17	0.51
1	CONDENSING UNIT	RF-CU-0378-A	208/230V	1	5.75	5.75
1	CONDENSATE EVAP PAN / 1000W / FULL	EL-EV-XXXX	208V	1	4.81	4.81

CIRCUIT#1 TOTAL AMPS: 11.43 VOLTAGE: 208-230/1/60, 3-WIRE CONNECTION: L14-20P
 CIRCUIT# (ISO. OUTLET) TOTAL AMPS: 20.00 VOLTAGE: 115/1/60 CONNECTION: HARDWIRED
 PACKOUT VOLUME: 6.87 CUBIC FT.
 INTERNAL VOLUME: 8.93 CUBIC FT.

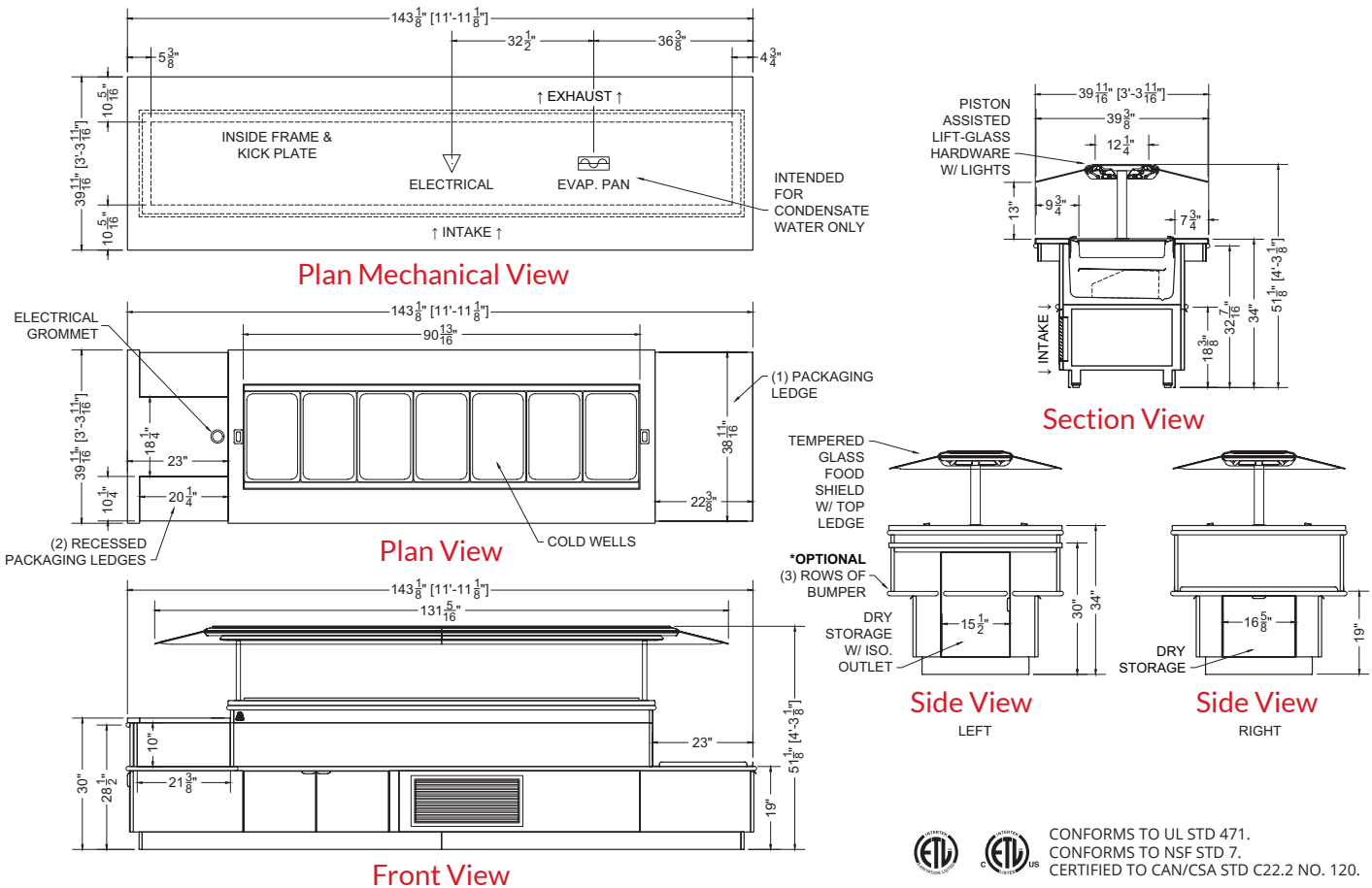






12.0-SSB-N-S | Zion Self-Service Bar

QTY	DESCRIPTION	PART NUMBER	VOLTAGE	PHASE	AMPS	TOTAL AMPS
4	45" LED 3500K, FROSTED, 24V	LG-FX-XXX-X	115V	1	0.09	0.36
3	EVAPORATOR FAN	RF-FA-XXXX	115V	1	0.17	0.51
1	CONDENSING UNIT	RF-CU-0378-A	208/230V	1	5.75	5.75
1	CONDENSATE EVAP PAN / 1000W / FULL	EL-EV-XXXX	208V	1	4.81	4.81

CIRCUIT#1 TOTAL AMPS: 11.43 VOLTAGE: 208-230/1/60, 3-WIRE CONNECTION: L14-20P
 CIRCUIT# (ISO. OUTLET) TOTAL AMPS: 20.00 VOLTAGE: 115/1/60 CONNECTION: HARDWIRED
 PACKOUT VOLUME: 6.87 CUBIC FT.
 INTERNAL VOLUME: 8.93 CUBIC FT.





 CONFORMS TO UL STD 471.
 CONFORMS TO NSF STD 7.
 CERTIFIED TO CAN/CSA STD C22.2 NO. 120.

For more information on the Zion Self-Service Bar, contact one of our Southern CaseArts representatives or check out our website to learn more about all of the products offered by Southern CaseArts.

