

PLAN MECHANICAL VIEW

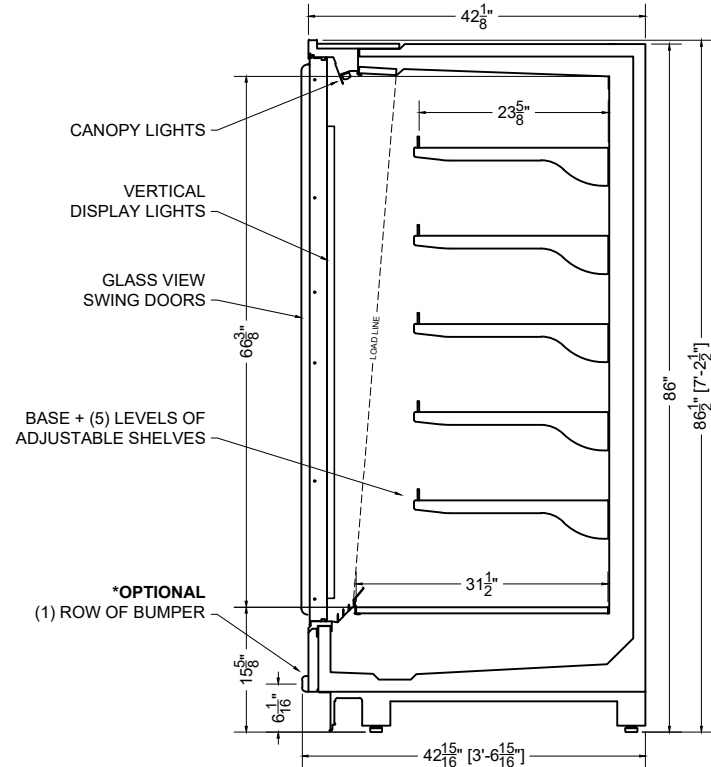
06.2-MDD-87ADM-R (3 DOOR)

PLATTE

QTY	DESCRIPTION	PART NUMBER	VOLTAGE	PHASE	AMPS	TOTAL AMPS
2	33" LED 4000K 24V	LG-FX-XXX-X	115V	1	0.38	0.75
4	59" LED 4000K 24V	LG-FX-XXX-X	115V	1	0.67	2.67
3	EVAPORATOR FAN	AFXXX	115V	1	0.20	0.60
1	DEFROST HEATERS	--	115V	1	3.48	3.48

CIRCUIT#1 (LIGHTS)	TOTAL AMPS:3.42	VOLTAGE:115/1/60	CONNECTION:HARDWIRED
CIRCUIT#2 (FANS)	TOTAL AMPS:0.60	VOLTAGE:115/1/60	CONNECTION:HARDWIRED
CIRCUIT#3 (DEFROST)	TOTAL AMPS:3.48	VOLTAGE:115/1/60	CONNECTION:HARDWIRED
MODEL:MDD-87ADM	APPLICATION:DELI	BTUH:4862	EVAP TEMP: 14°F

PACKOUT VOLUME: 82.26 CUBIC FT.
INTERNAL VOLUME: 100.75 CUBIC FT.



SECTION VIEW

