

PLAN MECHANICAL VIEW

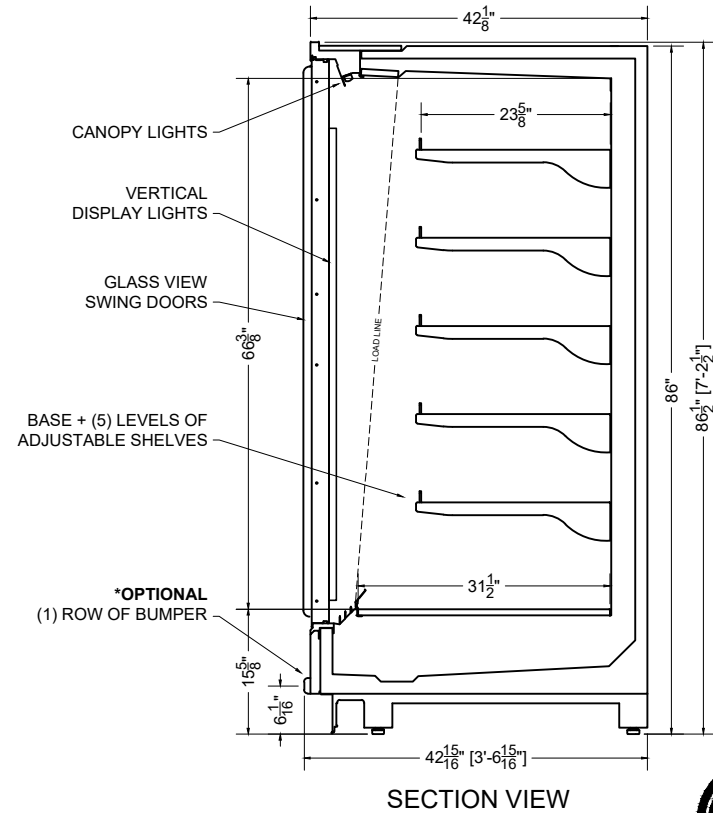
12.3-MDD-87ADM-R (6 DOOR)

PLATTE

QTY	DESCRIPTION	PART NUMBER	VOLTAGE	PHASE	AMPS	TOTAL AMPS
3	45" LED 4000K 24V	LG-FX-XXX-X	115V	1	0.50	1.50
6	59" LED 4000K 24V	LG-FX-XXX-X	115V	1	0.67	4.00
6	EVAPORATOR FAN	AFXXX	115V	1	0.20	1.20
1	DEFROST HEATERS	--	115V	1	6.96	6.96

CIRCUIT#1 (LIGHTS)	TOTAL AMPS: 5.50	VOLTAGE: 115/1/60	CONNECTION: HARDWIRED
CIRCUIT#2 (FANS)	TOTAL AMPS: 1.20	VOLTAGE: 115/1/60	CONNECTION: HARDWIRED
CIRCUIT#3 (DEFROST)	TOTAL AMPS: 6.96	VOLTAGE: 115/1/60	CONNECTION: HARDWIRED
MODEL: MDD-87ADM	APPLICATION: DELI	BTUH: 9724	EVAP TEMP: 14°F
DEFROST: TIME-OFF, 4/45MIN, 50° TEMP TERMINATION			

PACKOUT VOLUME: 164.52 CUBIC FT.
INTERNAL VOLUME: 201.49 CUBIC FT.



SECTION VIEW

