



**Sheyenne**  
**Multideck Merchandiser | Cold**  
MDC-81ADM-R, MDC-81AVM-R, MDC-87ADM-R



southerncasearts.com | 800.552.6283



**OVERVIEW**



The **Sheyenne Multideck Merchandiser** from **Southern CaseArts** is a great merchandiser to add to your store. With several width and depth options, each featuring five adjustable shelves with LED lights, this case can showcase everything – meat, cheese, dairy, bakery, sandwiches, prepared foods and beverages. The **Sheyenne** is an energy efficient case that you can use just about anywhere in your store.

**STANDARD FEATURES**

- **Nominal Length:** 4.1', 6.2', 8.2' & 12.3'
- **Interior Lighting:** 4000K LED
- **Shelving:** 5 adjustable shelves with LED lights
- Remote
- Optional night screen available
- **Exterior:** Black powder coat

**PRODUCT CATEGORIES**



Meat



Deli



Cheese/  
Dairy



Milk



Snacks/  
Sandwiches



Bakery



Chilled  
Beverages



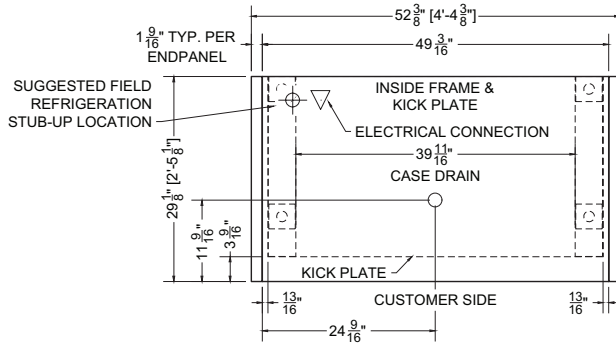
Prepared  
Food

**04.1-MDC-81AVM-R | Sheyenne Multideck Merchandiser**

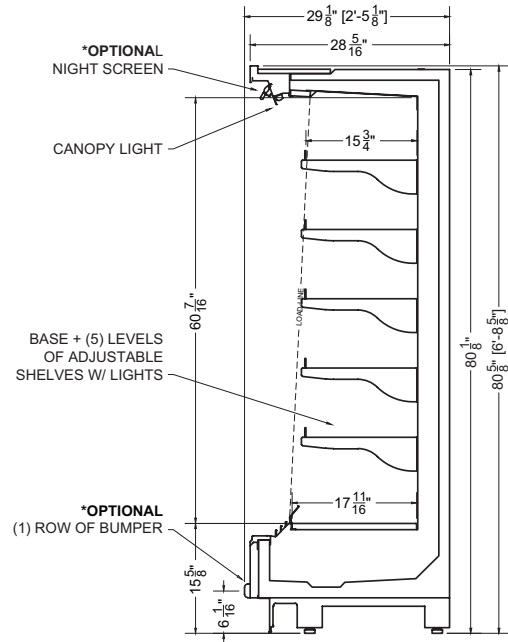
QTY	DESCRIPTION	PART NUMBER	VOLTAGE	PHASE	AMPS	TOTAL AMPS
6	45" LED 4000K, 24V	LG-FX-XXX-X	115V	1	0.50	3.00
2	EVAPORATOR FAN	AFXXX	115V	1	0.20	0.40
1	DEFROST HEATERS	---	115V	1	2.17	2.17

CIRCUIT#1 (LIGHTS) **TOTAL AMPS:** 3.00 **VOLTAGE:** 115/1/60 **CONNECTION:** HARDWIRED  
 CIRCUIT#2 (FANS) **TOTAL AMPS:** 0.40 **VOLTAGE:** 115/1/60 **CONNECTION:** HARDWIRED  
 CIRCUIT#3 (DEFROST) **TOTAL AMPS:** 2.17 **VOLTAGE:** 115/1/60 **CONNECTION:** HARDWIRED  
 MODEL: MDC-81AVM **APPLICATION:** DELI **BTUH:** 6321 **EVAP TEMP:** 14°F  
 DEFROST: TIME-OFF, 4/45MIN, 50° TEMP TERMINATION **PACKOUT VOLUME:** 28.18 CUBIC FT.  
**INTERNAL VOLUME:** 41.24 CUBIC FT.





Plan Mechanical View

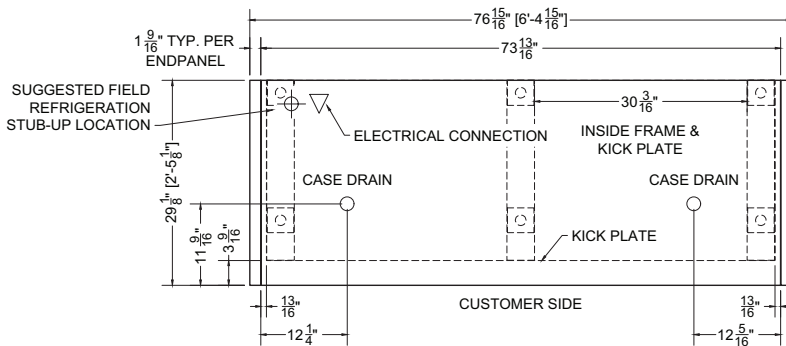


Section View

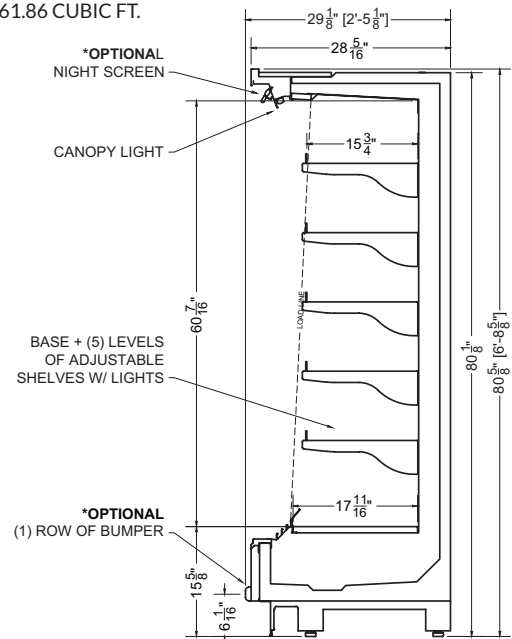
06.2-MDC-81AVM-R | Sheyenne Multideck Merchandiser

QTY	DESCRIPTION	PART NUMBER	VOLTAGE	PHASE	AMPS	TOTAL AMPS
12	34" LED 4000K, 24V	LG-FX-XXX-X	115V	1	0.38	4.50
3	EVAPORATOR FAN	AFXXX	115V	1	0.20	0.60
1	DEFROST HEATERS	---	115V	1	3.48	3.48

CIRCUIT#1 (LIGHTS)    **TOTAL AMPS:** 4.50    **VOLTAGE:** 115/1/60    **CONNECTION:** HARDWIRED  
 CIRCUIT#2 (FANS)    **TOTAL AMPS:** 0.60    **VOLTAGE:** 115/1/60    **CONNECTION:** HARDWIRED  
 CIRCUIT#3 (DEFROST)    **TOTAL AMPS:** 3.48    **VOLTAGE:** 115/1/60    **CONNECTION:** HARDWIRED  
**MODEL:** MDC-81AVM    **APPLICATION:** DELI    **BTUH:** 9481    **EVAP TEMP:** 14°F  
**DEFROST:** TIME-OFF, 4/45MIN, 50° TEMP TERMINATION    **PACKOUT VOLUME:** 42.27 CUBIC FT.  
**INTERNAL VOLUME:** 61.86 CUBIC FT.



Plan Mechanical View



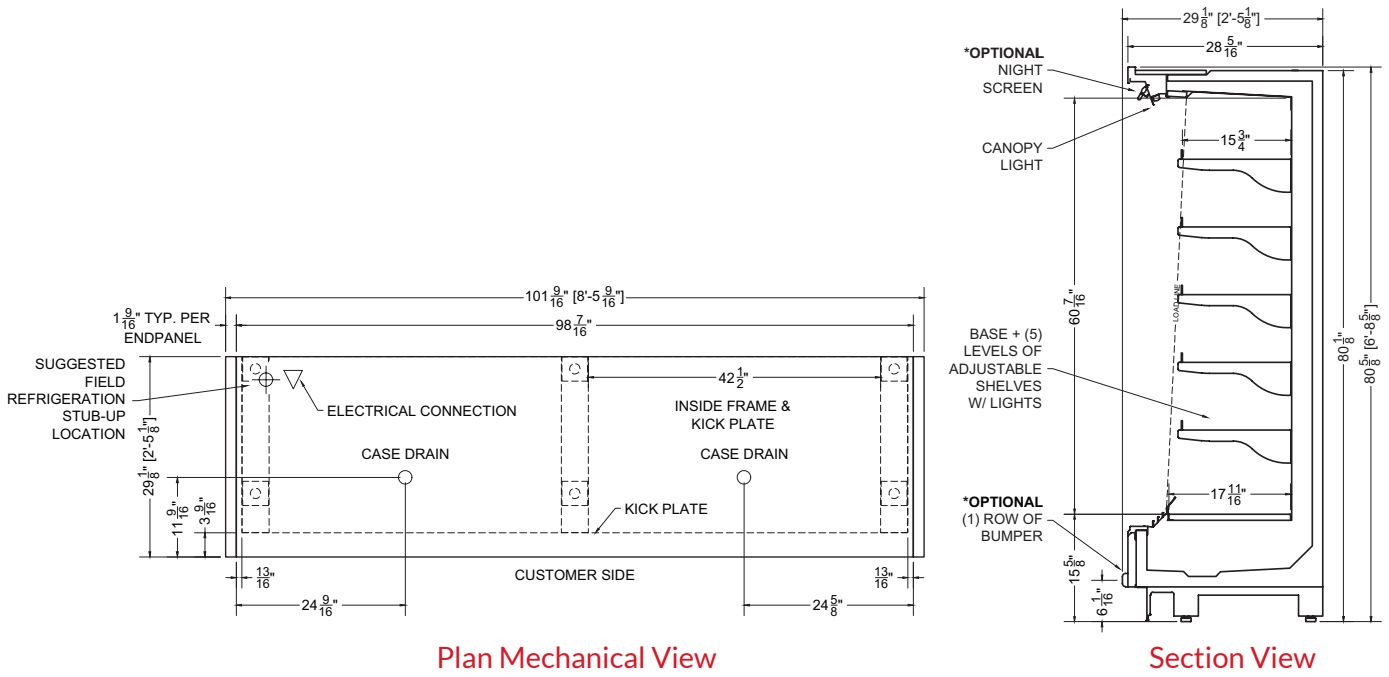
Section View



### 08.2-MDC-81AVM-R | Sheyenne Multideck Merchandiser

QTY	DESCRIPTION	PART NUMBER	VOLTAGE	PHASE	AMPS	TOTAL AMPS
12	45" LED 4000K, 24V	LG-FX-XXX-X	115V	1	0.50	6.00
4	EVAPORATOR FAN	AFXXX	115V	1	0.20	0.80
1	DEFROST HEATERS	---	115V	1	5.22	5.22

CIRCUIT#1 (LIGHTS) **TOTAL AMPS:** 6.00 **VOLTAGE:** 115/1/60 **CONNECTION:** HARDWIRED  
 CIRCUIT#2 (FANS) **TOTAL AMPS:** 0.80 **VOLTAGE:** 115/1/60 **CONNECTION:** HARDWIRED  
 CIRCUIT#3 (DEFROST) **TOTAL AMPS:** 5.22 **VOLTAGE:** 115/1/60 **CONNECTION:** HARDWIRED  
**MODEL:** MDC-81AVM **APPLICATION:** DELI **BTUH:** 12641 **EVAP TEMP:** 14°F  
**DEFROST:** TIME-OFF, 4/45MIN, 50° TEMP TERMINATION **PACKOUT VOLUME:** 56.36 CUBIC FT.  
**INTERNAL VOLUME:** 82.49 CUBIC FT.



### 12.3-MDC-81AVM-R | Sheyenne Multideck Merchandiser

QTY	DESCRIPTION	PART NUMBER	VOLTAGE	PHASE	AMPS	TOTAL AMPS
18	45" LED 4000K, 24V	LG-FX-XXX-X	115V	1	0.50	9.00
6	EVAPORATOR FAN	AFXXX	115V	1	0.20	1.20
1	DEFROST HEATERS	---	115V	1	6.96	6.96

CIRCUIT#1 (LIGHTS) **TOTAL AMPS:** 9.00 **VOLTAGE:** 115/1/60 **CONNECTION:** HARDWIRED  
 CIRCUIT#2 (FANS) **TOTAL AMPS:** 1.20 **VOLTAGE:** 115/1/60 **CONNECTION:** HARDWIRED  
 CIRCUIT#3 (DEFROST) **TOTAL AMPS:** 6.96 **VOLTAGE:** 115/1/60 **CONNECTION:** HARDWIRED  
**MODEL:** MDC-81AVM **APPLICATION:** DELI **BTUH:** 18962 **EVAP TEMP:** 14°F  
**DEFROST:** TIME-OFF, 4/45MIN, 50° TEMP TERMINATION **PACKOUT VOLUME:** 84.54 CUBIC FT.  
**INTERNAL VOLUME:** 123.73 CUBIC FT.

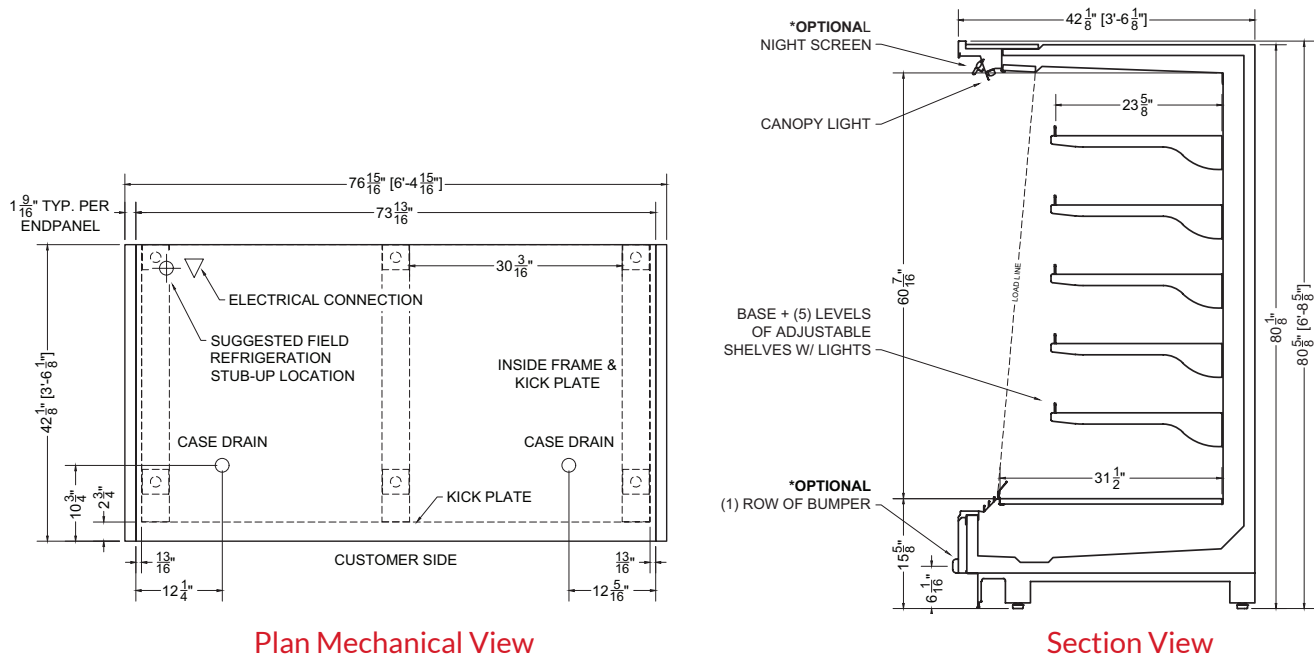




## 06.2-MDC-81ADM-R | Sheyenne Multideck Merchandiser

QTY	DESCRIPTION	PART NUMBER	VOLTAGE	PHASE	AMPS	TOTAL AMPS
12	34" LED 4000K, 24V	LG-FX-XXX-X	115V	1	0.38	4.50
3	EVAPORATOR FAN	AFXXX	115V	1	0.20	0.60
1	DEFROST HEATERS	---	115V	1	3.48	3.48

CIRCUIT#1 (LIGHTS) **TOTAL AMPS:** 4.50 **VOLTAGE:** 115/1/60 **CONNECTION:** HARDWIRED  
 CIRCUIT#2 (FANS) **TOTAL AMPS:** 0.60 **VOLTAGE:** 115/1/60 **CONNECTION:** HARDWIRED  
 CIRCUIT#3 (DEFROST) **TOTAL AMPS:** 3.48 **VOLTAGE:** 115/1/60 **CONNECTION:** HARDWIRED  
**MODEL:** MDC-81ADM **APPLICATION:** DELI **BTUH:** 10140 **EVAP TEMP:** 14°F  
**DEFROST:** TIME-OFF, 4/45MIN, 50° TEMP TERMINATION **PACKOUT VOLUME:** 75.01 CUBIC FT.  
**INTERNAL VOLUME:** 97.73 CUBIC FT.



Plan Mechanical View

Section View

## 08.2-MDC-81ADM-R | Sheyenne Multideck Merchandiser

QTY	DESCRIPTION	PART NUMBER	VOLTAGE	PHASE	AMPS	TOTAL AMPS
12	45" LED 4000K, 24V	LG-FX-XXX-X	115V	1	0.50	6.00
4	EVAPORATOR FAN	AFXXX	115V	1	0.20	0.80
1	DEFROST HEATERS	---	115V	1	5.22	5.22

CIRCUIT#1 (LIGHTS) **TOTAL AMPS:** 6.00 **VOLTAGE:** 115/1/60 **CONNECTION:** HARDWIRED  
 CIRCUIT#2 (FANS) **TOTAL AMPS:** 0.80 **VOLTAGE:** 115/1/60 **CONNECTION:** HARDWIRED  
 CIRCUIT#3 (DEFROST) **TOTAL AMPS:** 5.22 **VOLTAGE:** 115/1/60 **CONNECTION:** HARDWIRED  
**MODEL:** MDC-81ADM **APPLICATION:** DELI **BTUH:** 13520 **EVAP TEMP:** 14°F  
**DEFROST:** TIME-OFF, 4/45MIN, 50° TEMP TERMINATION **PACKOUT VOLUME:** 100.02 CUBIC FT.  
**INTERNAL VOLUME:** 130.31 CUBIC FT.

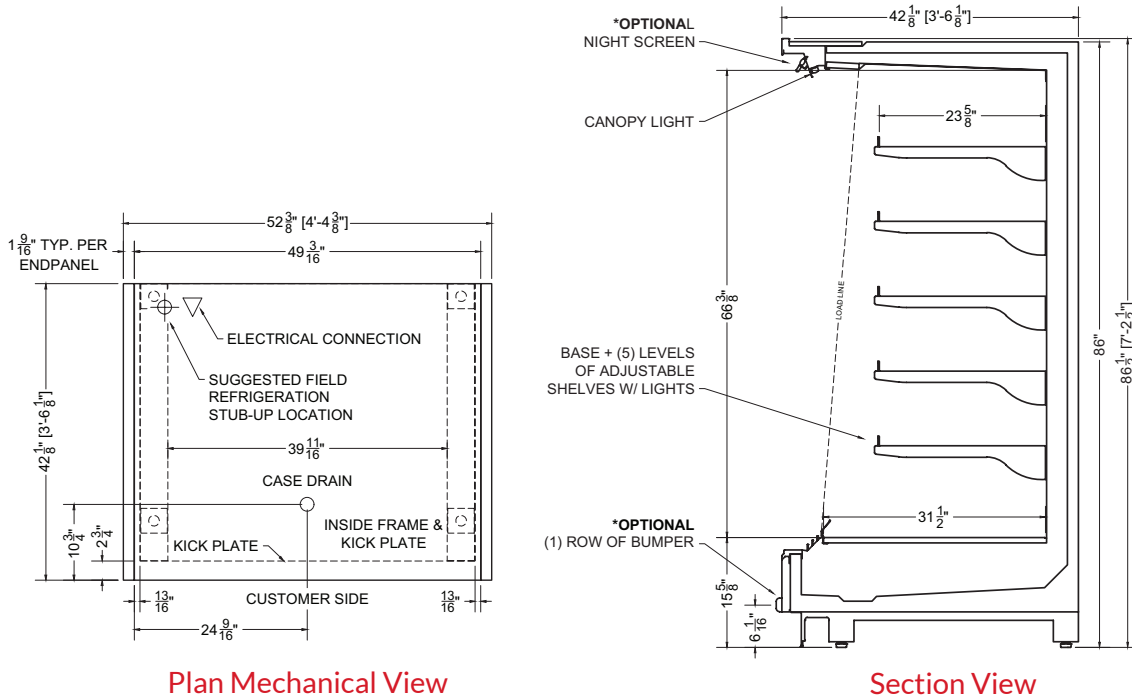




### 04.1-MDC-87ADM-R | Sheyenne Multideck Merchandiser

QTY	DESCRIPTION	PART NUMBER	VOLTAGE	PHASE	AMPS	TOTAL AMPS
6	45" LED 4000K, 24V	LG-FX-XXX-X	115V	1	0.50	3.00
2	EVAPORATOR FAN	AFXXX	115V	1	0.20	0.40
1	DEFROST HEATERS	---	115V	1	2.17	2.17

CIRCUIT#1 (LIGHTS) **TOTAL AMPS:** 3.00 **VOLTAGE:** 115/1/60 **CONNECTION:** HARDWIRED  
 CIRCUIT#2 (FANS) **TOTAL AMPS:** 0.40 **VOLTAGE:** 115/1/60 **CONNECTION:** HARDWIRED  
 CIRCUIT#3 (DEFROST) **TOTAL AMPS:** 2.17 **VOLTAGE:** 115/1/60 **CONNECTION:** HARDWIRED  
**MODEL:** MDC-87ADM **APPLICATION:** DELI **BTUH:** 7208 **EVAP TEMP:** 14°F  
**DEFROST:** TIME-OFF, 4/45MIN, 50° TEMP TERMINATION **PACKOUT VOLUME:** 54.84 CUBIC FT.  
**INTERNAL VOLUME:** 71.44 CUBIC FT.



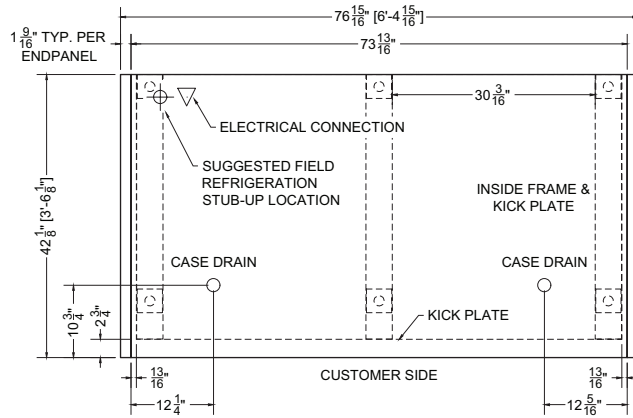
Plan Mechanical View

Section View

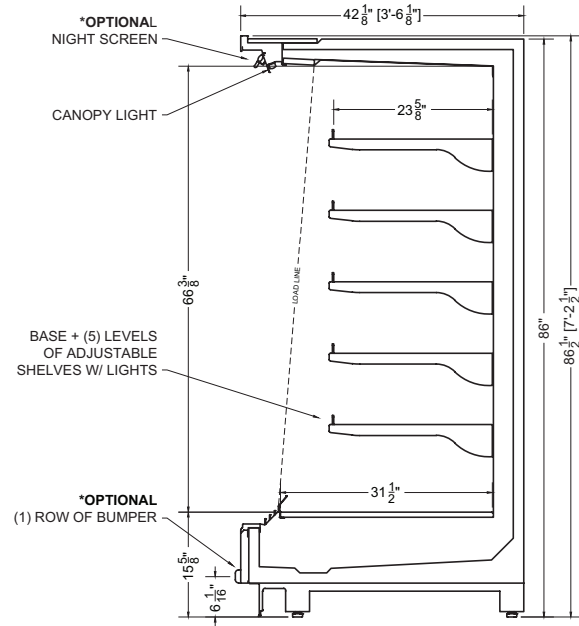
### 06.2-MDC-87ADM-R | Sheyenne Multideck Merchandiser

QTY	DESCRIPTION	PART NUMBER	VOLTAGE	PHASE	AMPS	TOTAL AMPS
12	34" LED 4000K, 24V	LG-FX-XXX-X	115V	1	0.38	4.50
3	EVAPORATOR FAN	AFXXX	115V	1	0.20	0.60
1	DEFROST HEATERS	---	115V	1	3.48	3.48

CIRCUIT#1 (LIGHTS) **TOTAL AMPS:** 4.50 **VOLTAGE:** 115/1/60 **CONNECTION:** HARDWIRED  
 CIRCUIT#2 (FANS) **TOTAL AMPS:** 0.60 **VOLTAGE:** 115/1/60 **CONNECTION:** HARDWIRED  
 CIRCUIT#3 (DEFROST) **TOTAL AMPS:** 0.60 **VOLTAGE:** 115/1/60 **CONNECTION:** HARDWIRED  
**MODEL:** MDC-87ADM **APPLICATION:** DELI **BTUH:** 10812 **EVAP TEMP:** 14°F  
**DEFROST:** TIME-OFF, 4/45MIN, 50° TEMP TERMINATION **PACKOUT VOLUME:** 82.26 CUBIC FT.  
**INTERNAL VOLUME:** 107.16 CUBIC FT.



Plan Mechanical View

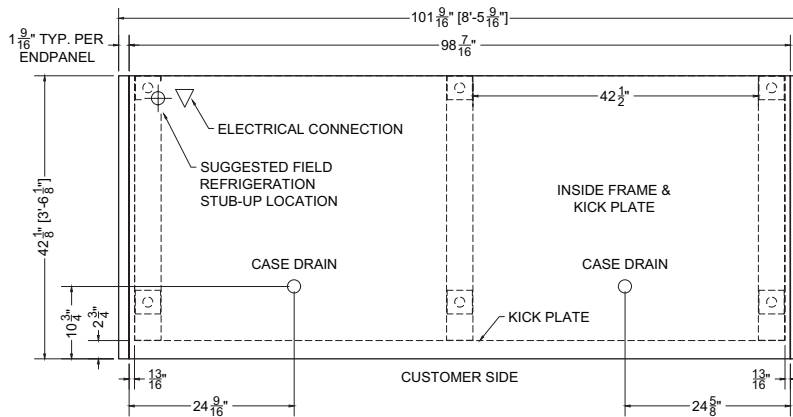


Section View

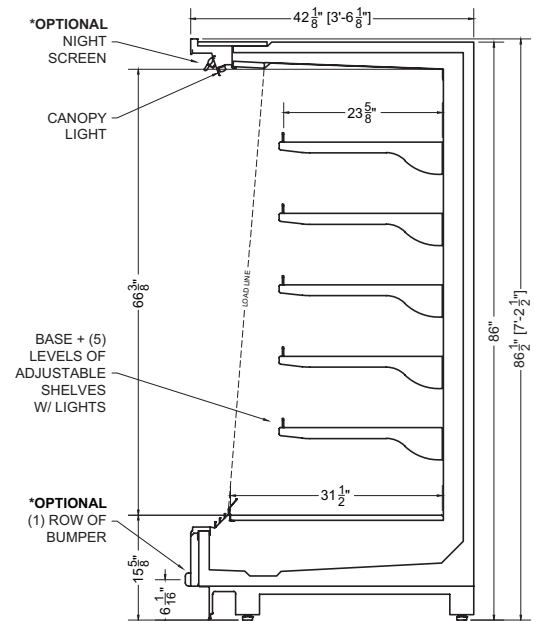
08.2-MDC-87ADM-R | Sheyenne Multideck Merchandiser

QTY	DESCRIPTION	PART NUMBER	VOLTAGE	PHASE	AMPS	TOTAL AMPS
12	45" LED 4000K, 24V	LG-FX-XXX-X	115V	1	0.50	6.00
4	EVAPORATOR FAN	AFXXX	115V	1	0.20	0.80
1	DEFROST HEATERS	---	115V	1	5.22	5.22

CIRCUIT#1 (LIGHTS) TOTAL AMPS: 6.00 VOLTAGE: 115/1/60 CONNECTION: HARDWIRED  
 CIRCUIT#2 (FANS) TOTAL AMPS: 0.80 VOLTAGE: 115/1/60 CONNECTION: HARDWIRED  
 CIRCUIT#3 (DEFROST) TOTAL AMPS: 5.22 VOLTAGE: 115/1/60 CONNECTION: HARDWIRED  
 MODEL: MDC-87ADM APPLICATION: DELI BTUH: 14416 EVAP TEMP: 14°F  
 DEFROST: TIME-OFF, 4/45MIN, 50° TEMP TERMINATION PACKOUT VOLUME: 109.68 CUBIC FT.  
 INTERNAL VOLUME: 142.88 CUBIC FT.



Plan Mechanical View



Section View



